

Soil Contamination by Plastics: Collection and Recycling of Plastic Waste from the Paraná Landfill.

National Technological University,
Paraná Regional School, Civil Engineering
Department, Ingles I.
2022



Members of the group:
Cian, Paulina
Ibarra, Bruno
Machado, Mariam

This work is an EFL engineering student project. The pictures and content in this presentation are only used for educational purposes. If there is any copyright conflict, they will be immediately removed.

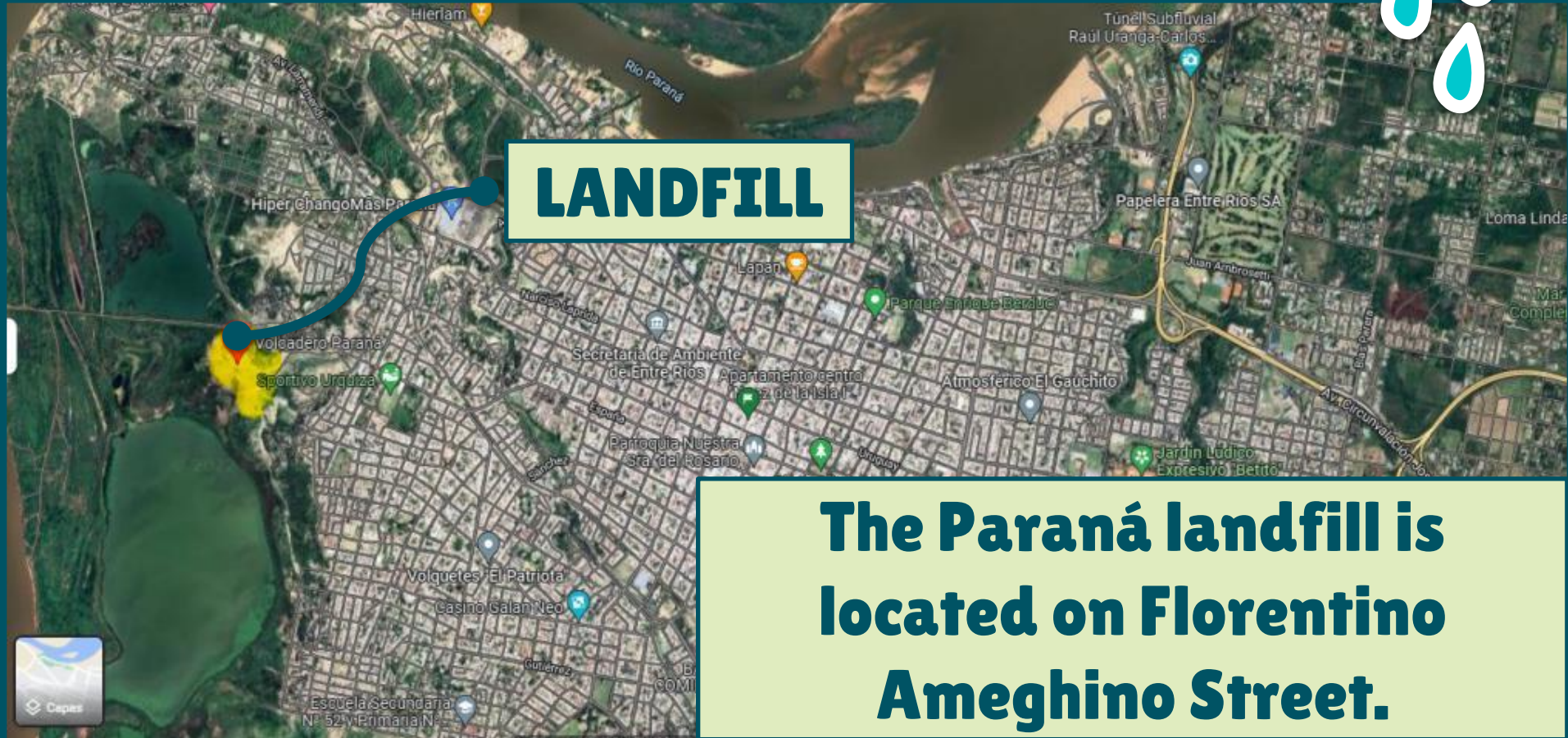


SOIL

- The soil is one of the most important natural resources and it is a non-renewable resource.
- The soil makes the production of the natural resources possible.
- The soil is damaged due to plastic pollution



LOCATION OF THE LANDFILL



The Paraná landfill is located on Florentino Ameghino Street.

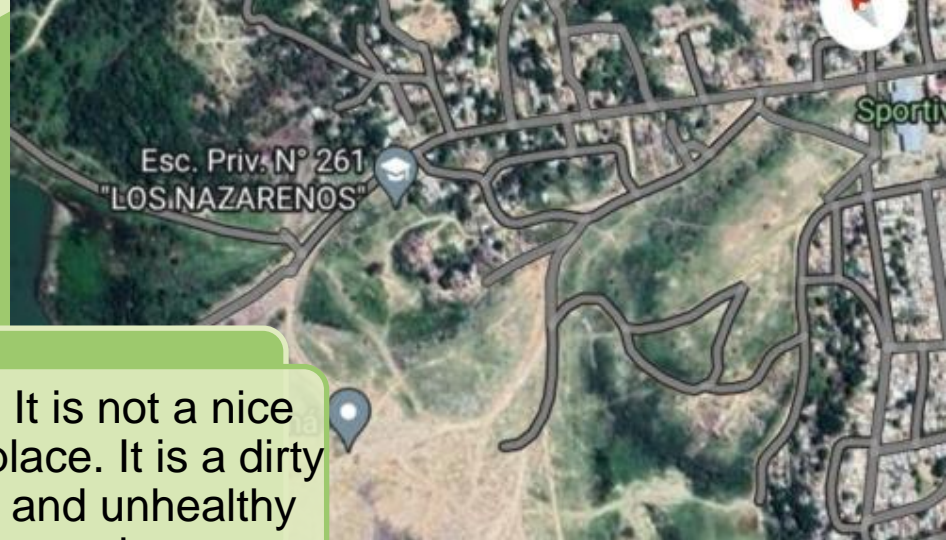


Description of the context

There is a neighborhood a few meters from the landfill.

The neighbors are probably exposed to its contamination.

It is not a nice place. It is a dirty and unhealthy place.





DESCRIPTION OF THE PROBLEM





- There is a lot of smoke.
- There are animals and people.
- There are many plastics buried in the soil, especially bags.





- There is a lot of smoke.
- There are some people.
- There are a lot of plastic containers, especially bags.



- There are some pigs.
- There are trees with few leaves.
- There are many plastics buried in the soil.





- There is a lot of smoke.
- There are some people.
- There are a lot of plastics, especially bags.



- There is a lot of garbage scattered around the place .
- There is garbage burning.



- There are some pigs.
- There are trees with few leaves.
- There are a lot of plastics buried in the soil.



CAUSES OF THE PROBLEM

OVERCONSUMPTION OF PLASTICS



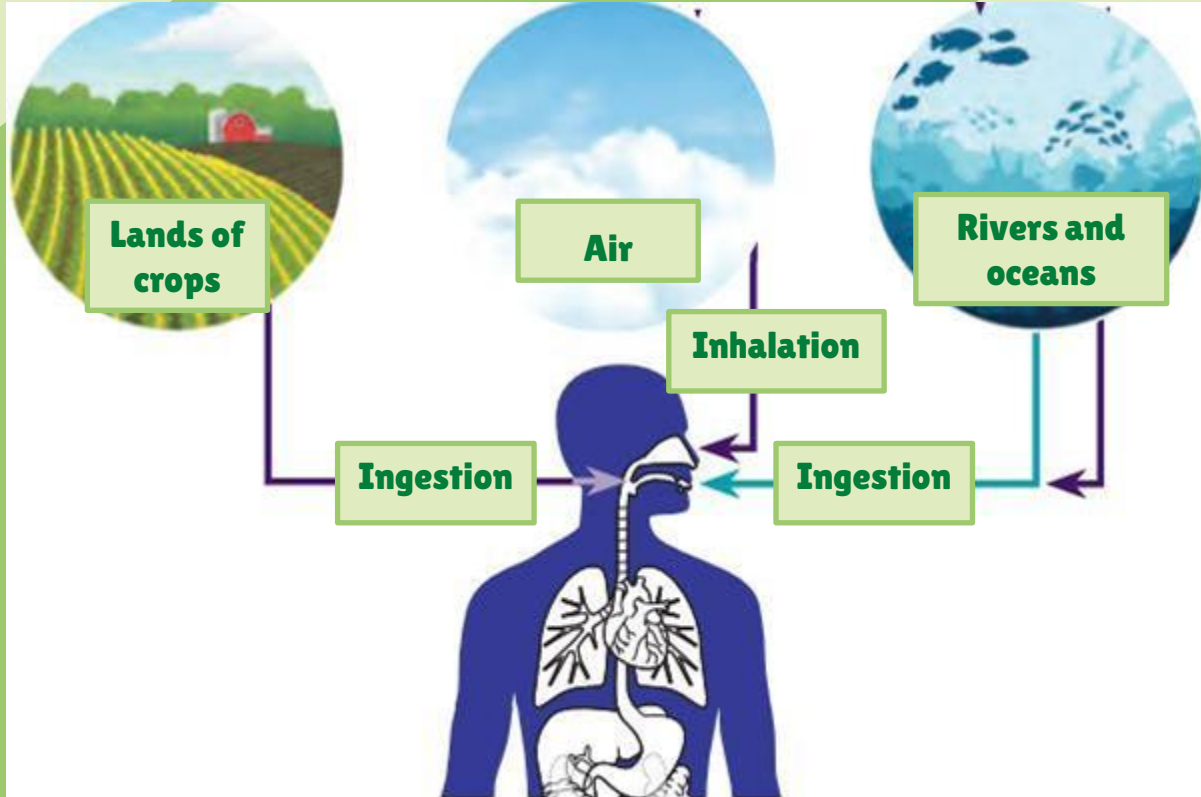
LITTLE AWARENESS ABOUT PLASTICS





CONSEQUENCES OF THE PROBLEM

Public health threat



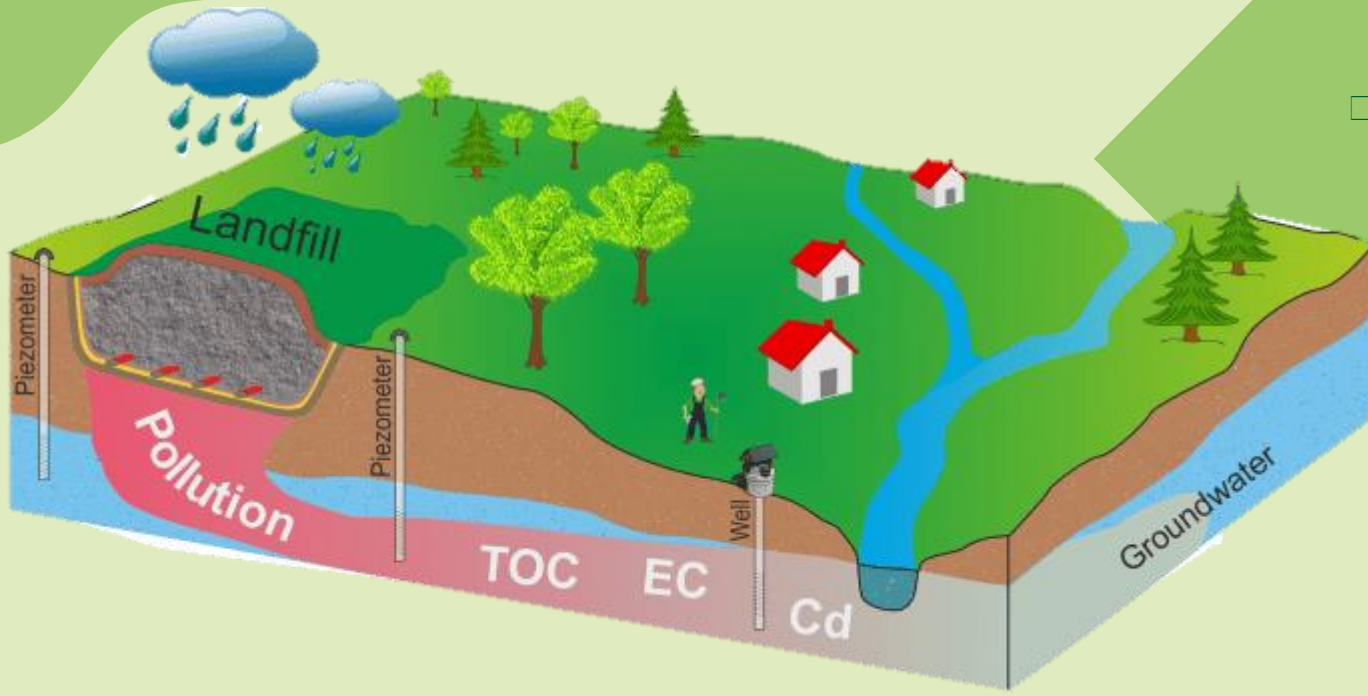
PLASTIC BURNING



- This smoke is toxic.



- The incineration of plastic waste contributes to the growth of the greenhouse effect.



- The plastic waste damages the soil and groundwater

PLASTIC ON THE GROUND

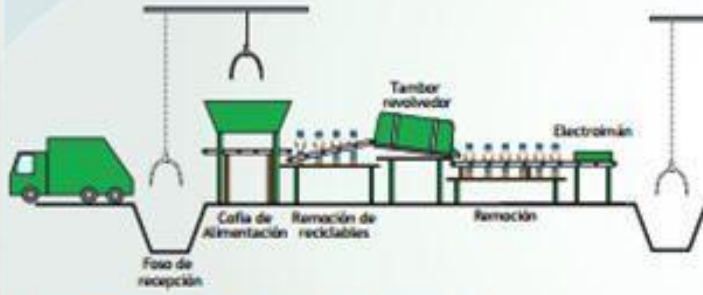


SOLUTION TO THE PROBLEM



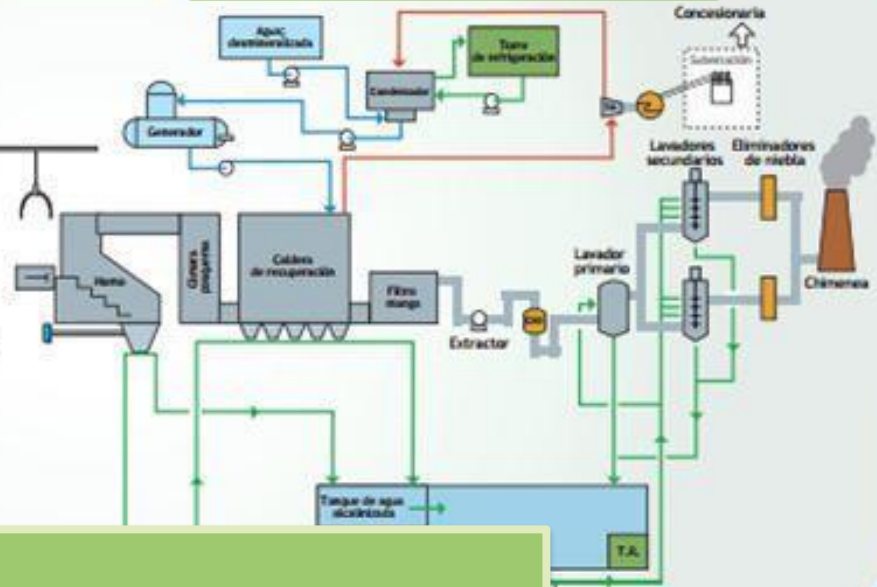
- Reusable plastics are going to be recycled.
- Non-reusable plastics are going to generate energy.

WASTE PRE-TREATMENT



Segregación de Materiales para Reciclado

THERMAL TREATMENT AND ENERGY GENERATION



PLASTICS PATHWAY

Conclusion



Reducing plastic pollution in the soil and increasing people's quality of life is possible if the state finances the new waste-to-energy plant and the addition of more containers in the city.





**THANKS FOR
YOUR TIME**